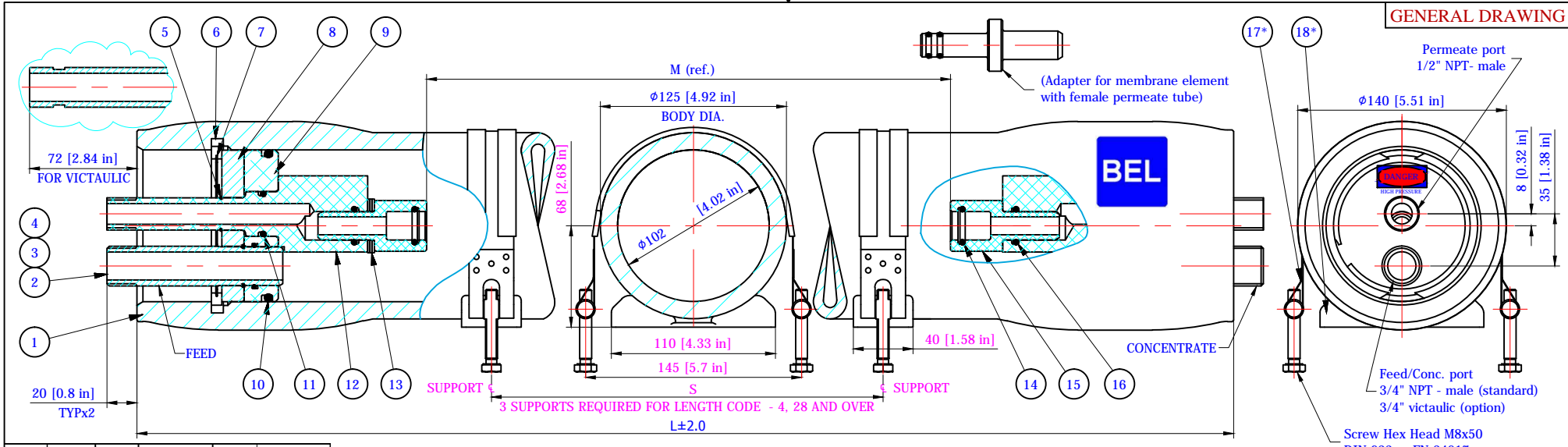


**GENERAL DRAWING**



Shell length code	L (l.o.a.) mm. inch	S # (span) mm. inch	M, mm/in length for membranes elements	W weight kg. lb	Article number
1	865	410	485	12	401201-21
	34.1	16	19.1	26	
2	1399	940	1018.5	17	401201-22
	55.1	37	40.1	36	
3	1932	1480	1552	21	401201-23
	76.1	58	61.1	47	
4	2466	2000	2085.5	26	401201-24
	97.1	79	82.1	57	
5	3000	2540	2620	30	401201-25
	118.1	100	103.1	67	
6	3534	3070	3153.5	35	401201-26
	139.1	121	124.2	77	
7	4069	3600	3688.5	40	401201-27
	160.2	142	145.2	87	
8	4603	4140	4223	44	401201-28
	181.2	163	166.3	97	
9	5138	4670	4758	49	401201-29
	202.3	184	187.3	108	
10	5673	5200	5292.5	53	401201-30
	223.3	205	208.4	118	
11	6208	5740	5828	58	401201-31
	244.4	226	229.4	128	
12	6742	6270	6361.5	63	401201-32
	265.4	247	250.5	138	

Table №1 for membrane length 21" ( 533.4mm. ).  
 Table №2 for membrane length 40" ( 1016mm. ).

Shell length code	L (l.o.a.) mm. inch	S # (span) mm. inch	M, mm/in length for membranes elements (with membrane type)		W weight kg. lb.	Article number
1	1350	710	1020	970	16	401200-1
	53.1	28	40.2	38.2	35	
2	2366	1550	2036	1986	25	401200-2
	93.1	61	80.2	78.2	55	
3	3382	2550	3052	3002	34	401200-3
	133.1	100	120.2	118.2	74	
4	4398	3250	4068	4018	42	401200-4
5	173.1	128	160.2	158.2	94	401200-5
	5415	4250	5085	5035	51	
6	213.2	167	200.2	198.2	113	401200-6
	6433	5250	6103	6053	60	
6	253.3	207	240.3	238.3	132	401200-6

This drawing is an integral part of the general statement of use and technical manual

**Warning.**

1. Never pressurize a pressure vessel that was not loaded with membrane elements.
2. Wrong manifolding may cause an excessive pressure on port what can lead to leaks.
3. Max. allowable working pressure not to exceed 1200 psi. (83 bar).
4. Permeate internal pressure not to exceed 125 psi. (8.6 bar).
5. Operating temperature not to exceed 49°C (120°F).

**Notes:**

1. All dimensions are for reference only, not for construction unless certified.
2. \* - *Item 17 & 18 are optional. Delivered upon request. Priced separately.*
3. Drawing unit: mm. (inches)
4. Saddles can be shimmed if required.
5. Do not scale drawing, may be reprinted on any paper size or copied.
6. The vessel is supplied with two strap for external saddles.

Item	Part number	Q-ty	Title	Material
1	401200-0	1	Body of Pressure Vessel	Glass/Epoxy
2	009-034-1200/v	2	F/C Port	Super Duplex Stainless Steel
3	011-034-1202	2	Retaining ring for End port	316 stainless steel
4	55412361	2	Seal for End port	EPDM
5	55412369	2	Retaining ring for P.port	316 stainless steel
6	005-461-1200	2	Support ring	Aluminum
7	011-401-1202	2	Retaining ring for S.ring	316 stainless steel
8	003-400-1003	2	Base plate	Aluminum
9	55410231	2	Sealing plate	Engineering plastic
10	55412360	2	Seal for Sealing plate	EPDM
11	55412363	2	Seal for Permeate port	EPDM
12	008-403-1200	2	Permeate port	Engineering plastic
13	55412377	0-6	Disk spacer	Engineering plastic
14	As required	2	Membrane seal	EPDM
15	As required	2	Adapter	Engineering plastic
16	55412367	2	Seal for Adapter	EPDM

**- Vessel support parts - optional -**

17*	55410246	2	Strap	316 stainless steel
18*	55410352	2-3	Saddle	Engineering plastic

BEL	TITLE BEL 4-E-1200 psi. RO PRESSURE VESSEL	DESIGN	NAME	DATE
		CHECK	Yuri V.	30/07/2014
DRAWING No.	BEL 4-E-1200	APPR.	Ari A.	30/07/2014

THIS DRAWING IS PROPERTY OF BEL GROUP LIMITED IT IS STRICTLY FORBIDDEN TO USE, COPY, REPRODUCE OR DISCLOSE ANY PART OF IT TO THIRD PARTY WITHOUT WRITTEN AUTHORIZATION. REV.: 0